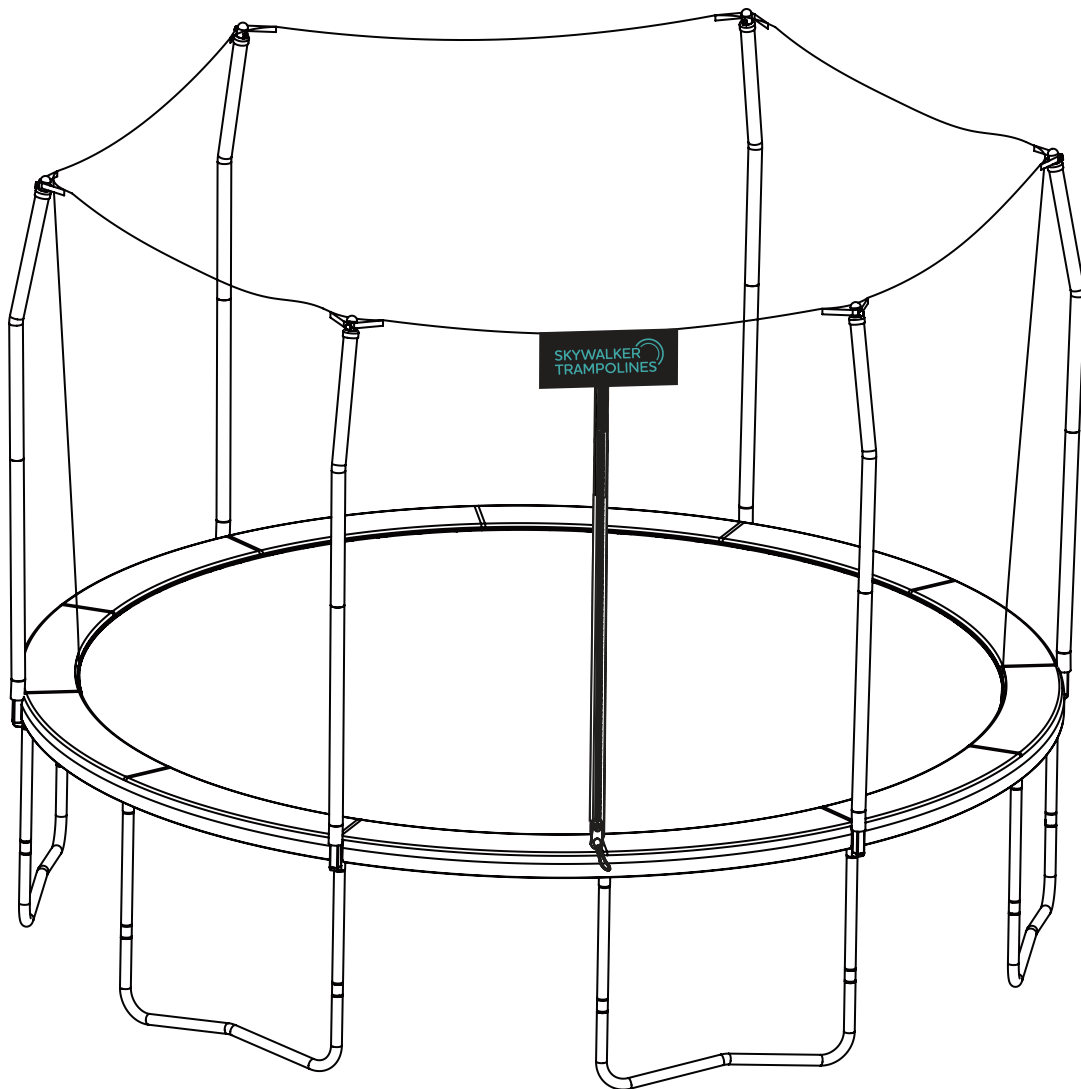


ASSEMBLY, MAINTENANCE, & **USER MANUAL**

MODEL #SWST15D09



WARNING

Read all precautions and instructions in this manual before using this equipment. Save this manual for future reference.

**Maximum user weight 250lbs.
Successfully tested to 1000lbs.**

**SKYWALKER
TRAMPOLINES**

Skywalker Holdings LLC
P.O. Box 574, Brigham City, UT 84302

TABLE OF CONTENTS

Part List.....	3
Part Identification.....	4-5
Exploded Drawing.....	6
Assembly.....	7-16
Maintenance and Care Information.....	17
Instructions for Use.....	18
Warning Label Placement.....	19
Instructions and Model Lessons.....	20-22
Trampoline Safety Information.....	23
Enclosure Safety Information.....	24
Methods of Accident Prevention.....	25
Limited Warranty.....	26



STOP EVERYTHING YOU'RE DOING AND REGISTER YOUR SKYWALKER PRODUCT

Find our warranty registration online by typing in: www.skywalkertrampolines.com/registration/

You'll need to have the following information handy:

- Name
- Address
- Phone number
- Date of purchase
- Email address
- Trampoline model number
- Trampoline serial number
- Retailer the trampoline was purchased from



HEY WE'VE GOT SOMETHING REALLY IMPORTANT TO SAY

Skywalker Trampolines belongs to a family of brands focused on providing active products. Check us out online! We've got **assembly videos** (for those of you who prefer movies over books), **FAQs** (so you know you're not the only one who had a question), **additional products** (including fitness, sports and playground equipment), and most importantly, find us on social media! We want to be your friend. **We'd love to hear from you!**



@skywalkertrampolines



skywalkertrampolines



@skywalker_trampolines



@swtrampolines



@skywalkertrampolines



www.skywalkertrampolines.com



IMPORTANT

Trampolines and enclosures are susceptible to winds. Be sure to secure your trampoline and enclosure. Wind damage is not covered in the warranty of your trampoline.



WARNING

CHOKING HAZARD- Small parts not for children under 3 years.



WARNING

Adult assembly required.

PART LIST

Key No.	Qty.	Description
1	6	T-joint (may be pre-installed to top tube)
2	6	Socket (may be pre-installed to top tube)
3	12	Leg Extension
4	6	Leg Brace
5	1	Jump Mat
6	1	Frame Pad
7	1	Enclosure Net
8	96	Springs
9	6	Straight Tube
10	6	Curved Tube
11	12	Foam
12	6	Pole Cap
13	6	End Cap
14	6	M5X44mm Bolt
15	33	ST4.8x16mm Self-tapping Screws (3 Spare Parts)
16	1	Spring Tool
17	1	Screw Driver
18	12	Top Tube
19	1	Storage Bag
20	2	Spring Bag
#	1	User Manual & Safety Placard
#	1	Set of ASTM Frame Labels

ORDERING REPLACEMENT PARTS

We get it, sometimes things happen, but the fun shouldn't stop just because you need a new bolt or screw. To order replacement parts, check out our website www.skywalkertrampolines.com or call our toll-free Customer Care Hotline at **1-866-603-Jump (5867)**, Monday - Thursday 8 a.m. to 5 p.m., Friday 8 a.m. to 3 p.m. Mountain Time (excluding holidays).

Our customer service team will ask you a few questions to get the replacement part sent out as soon as possible. We're not trying to complicate your life, we promise.

When calling, make sure to have the following information ready:

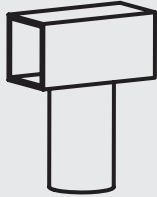
- The model # of the product (see the front cover of this manual)
- The key # and description of the part (see the part list above)
- The quantity needed (only you know the answer to that one!)

BEFORE YOU BEGIN

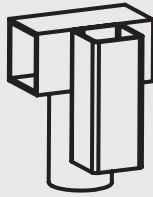
Thank you for choosing Skywalker Trampolines! We're just as excited as you are to help your family live an active (but most importantly **FUN**) lifestyle. This model is one of our favorites, and we're confident you'll love it, too. We want to make things easier for you, so we have listed all the important information that you (and your little outdoor adventurers) need to know. Make sure you brush up on the warnings, instructions, assembly, maintenance, and use of your new product because there will be a pop quiz at the end (Okay, not **REALLY**, but if you're still reading this, props to you! You're awesome!).

PART IDENTIFICATION

Before you begin, take a look at the drawings below to make sure you have all the parts! The numbers in the squares to the left (key numbers) will help you identify the parts during assembly.



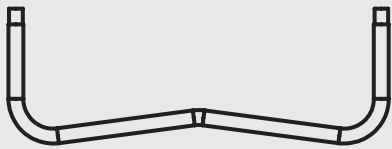
1 T-joint (may be pre-installed) **(x6)**



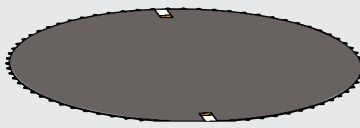
2 Socket (may be pre-installed) **(x6)**



3 Leg Extension **(x12)**



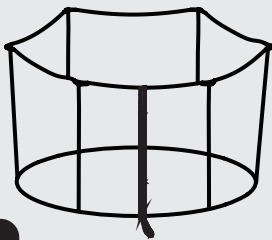
4 Leg Brace **(x6)**



5 Jump Mat **(x1)**



6 Frame Pad **(x1)**



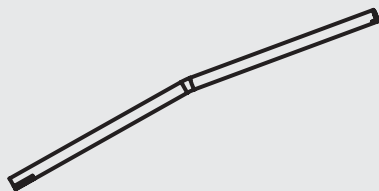
7 Enclosure Net **(x1)**



8 Springs **(x96)**



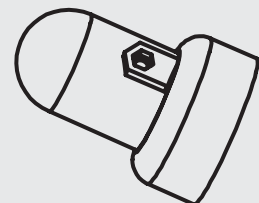
9 Straight Tube **(x6)**



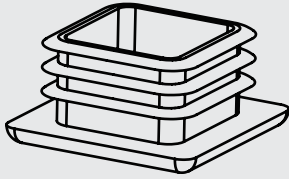
10 Curved Tube **(x6)**



11 Foam **(x12)**



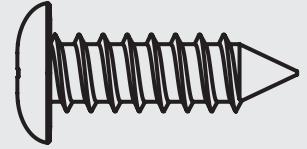
12 Pole Cap **(x6)**



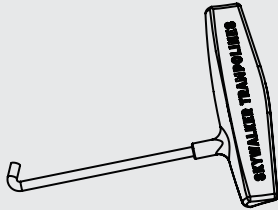
13 End cap (x6)



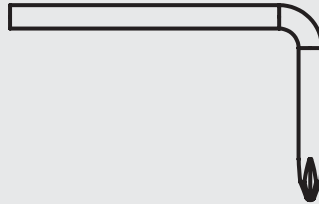
14 M5X44mm Bolt (x6)



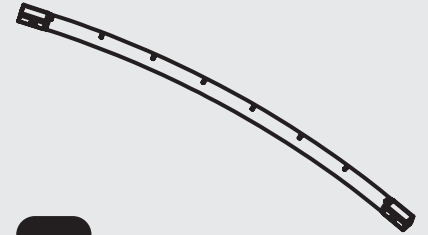
15 ST4.8x16mm Self-tapping Screw (x33)



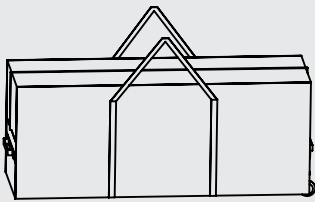
16 Spring Tool (x1)



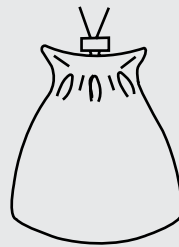
17 Screw Driver (x1)



18 Top Tube (x12)

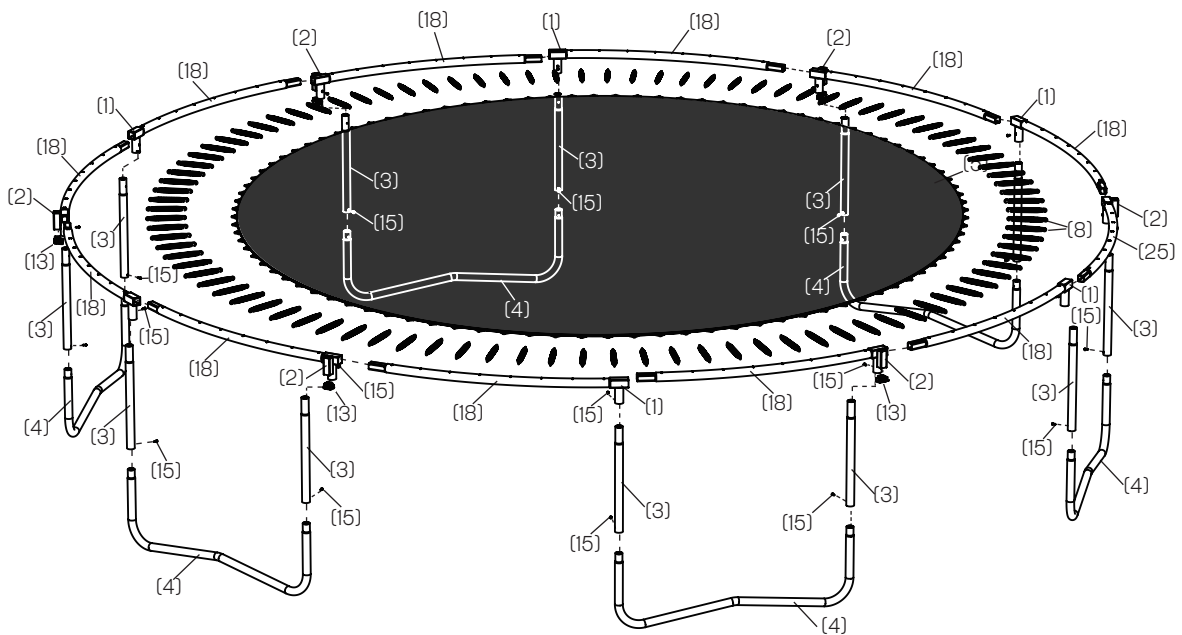
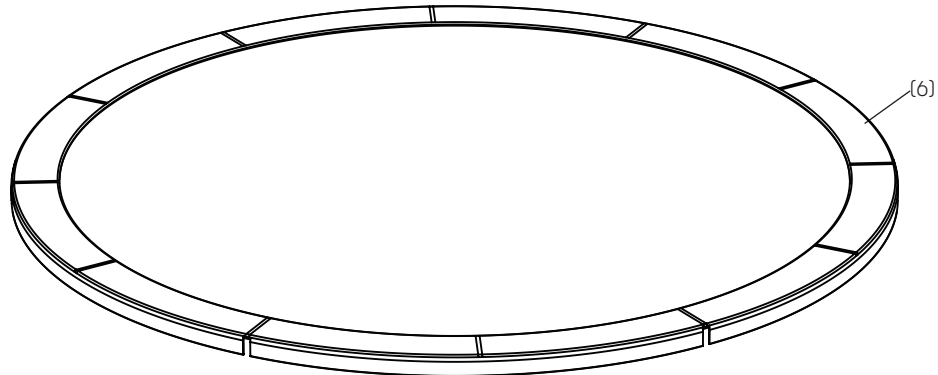
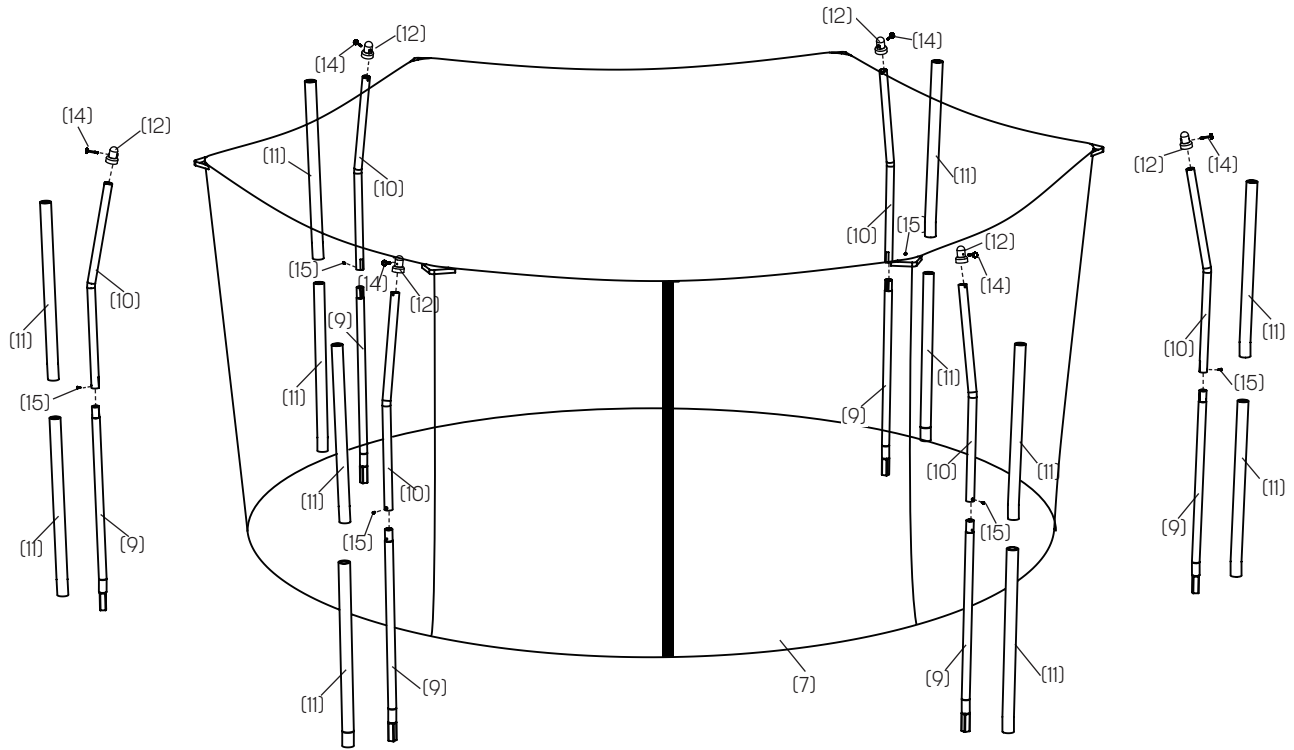


19 Storage Bag (x1)



20 Spring Bag (x2)

EXPLODED DRAWING



ASSEMBLY

READ THIS BEFORE YOU BEGIN

- You'll probably need at least **two adults** and **2 hours** to assemble your trampoline (of course, that depends on what model you have, and whether or not you're secretly a superhero)
- We've provided some tools to help with assembly, but you're more than welcome to use your own
- The assembly steps refer to parts by their descriptions and key numbers (see the part list on page 3)
- The assembly steps are written in a specific order, and if you don't follow them exactly, you may end up having to start all over again
- Most importantly, it will be **worth it**. Trust us

If you're a visual learner, check out our assembly videos! They're pretty great!



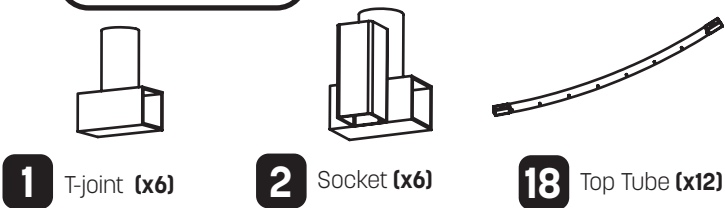
skywalkertrampolines



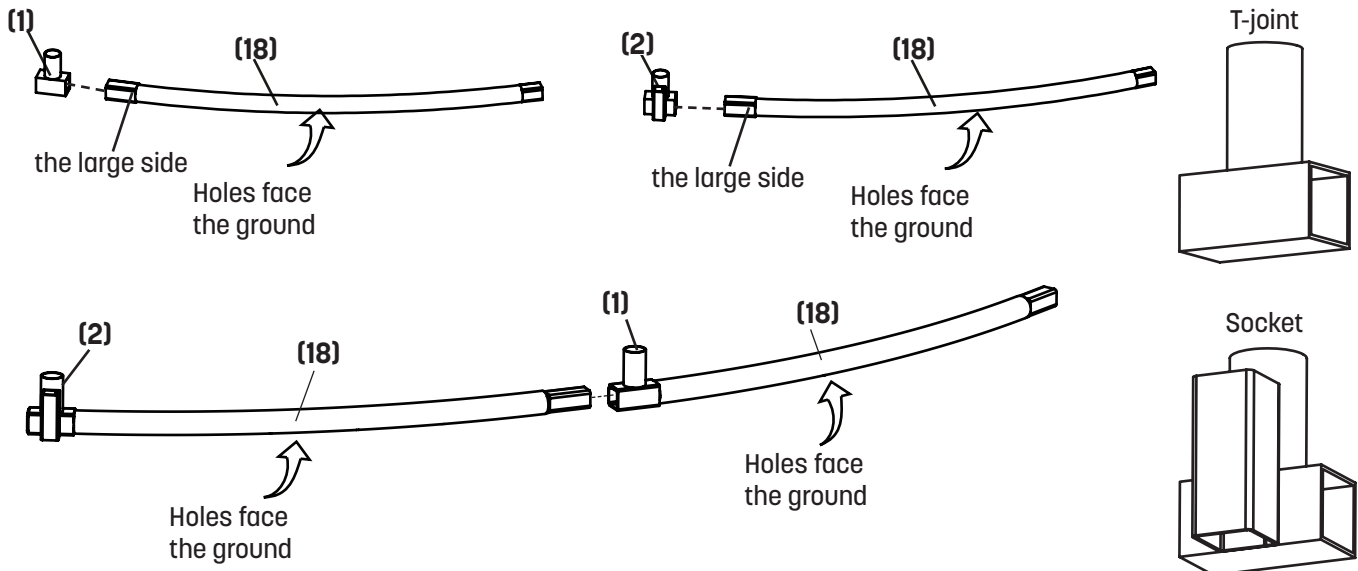
STEP 1

Register your trampoline! For info on **warranty registration**, see page 2.

STEP 2

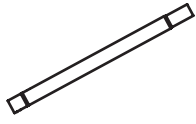


Insert the large side of a top tube (18) into a T-joint (1). Then insert another top tube (18) into a socket (2). (The holes in the tubes should face the ground.) Now insert the top tube (18) with T-joint (1) into the top tube with socket (2). This makes one top tube section. Now repeat this step until you have 6 top tube sections. **Make sure the T-joints and sockets are alternating and the holes face the ground.**



ASSEMBLY

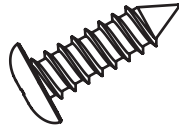
STEP 3



3 Leg Extension (x12)

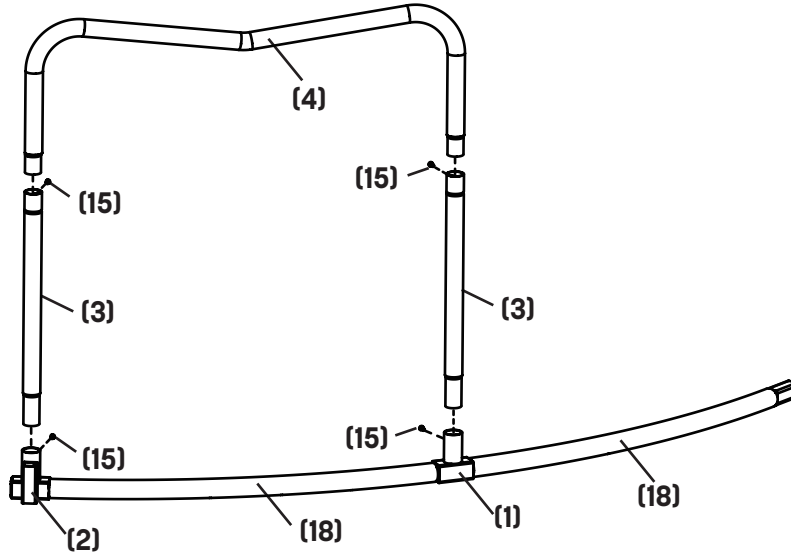


4 Leg Brace (x6)



15 Self-tapping Screws (x24)

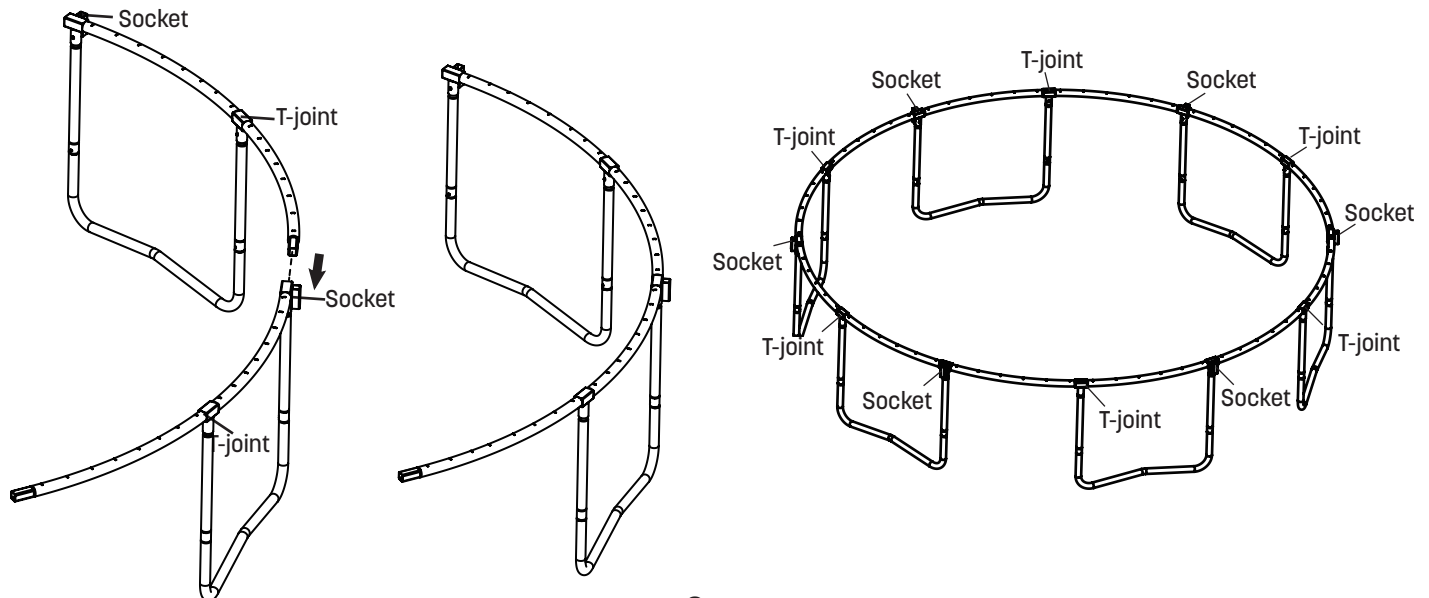
Insert a leg brace **(4)** into two leg extensions **(3)** and tighten with two self-tapping screws **(15)**. Insert both leg extensions into the T-joint and socket at the same time, and tighten with two self-tapping screws. Repeat this step until you have all six frame pieces assembled.



STEP 4

This step is a breeze! (But it is a good idea to **grab a friend** to help). Just **flip** the six frame pieces so that the **legs are now supporting the frame**. Now connect two frame pieces together. Continue connecting frame pieces until you have a free-standing frame. (And it might even resemble a trampoline now!)

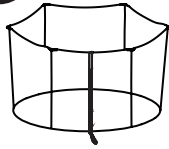
Remember: Make sure the T-joints and sockets are alternating!



STEP 5

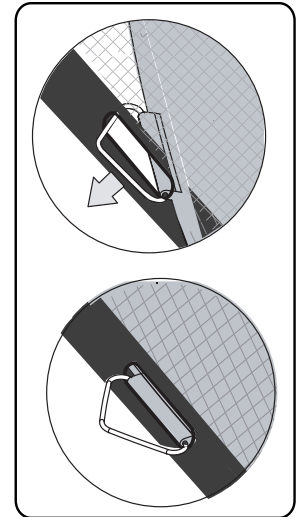
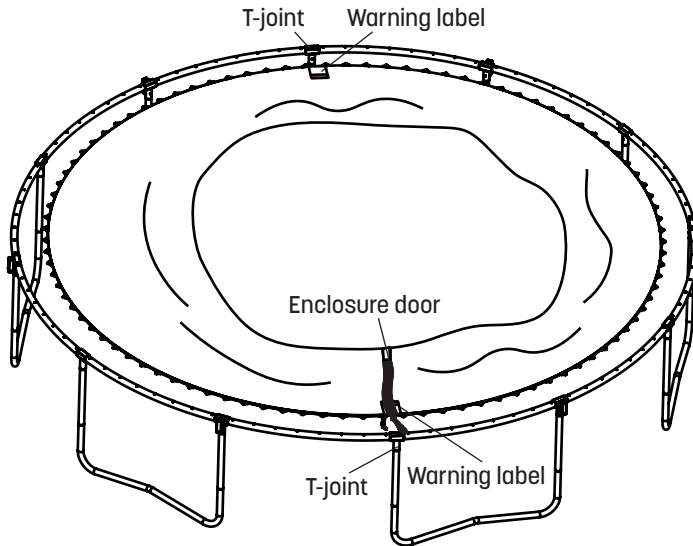


5 Jump Mat (x1)

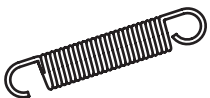


7 Enclosure Net (x1)

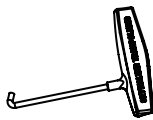
Now grab the jump mat and enclosure. Check where they attach together and make sure each **V-ring on the mat is threaded through** the corresponding hole on the net. Lay the mat with enclosure on the ground inside the frame, and make sure the **two warning labels are on top of the mat and aligned with two T-joints!**



STEP 6

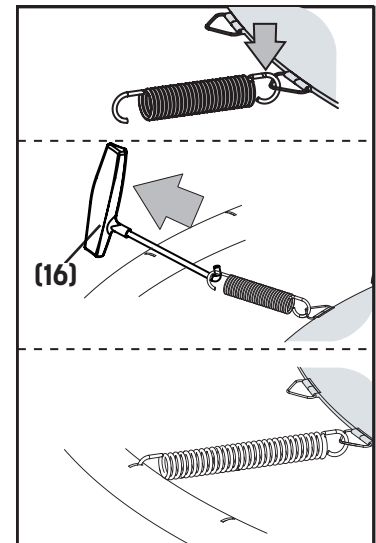
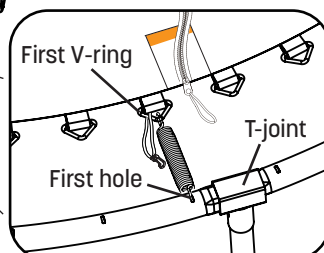
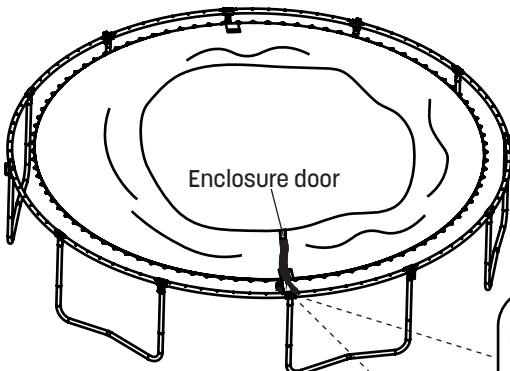


8 Springs (x1)



16 Spring Tool (x1)

You may want to use gloves for this step! Before you begin, make sure each V-ring has been threaded through the holes on the enclosure net. **Make sure the enclosure door is lined up with a T-joint.** Using the spring tool, hook the **smaller end** of a spring into the **V-ring of the jump mat just left of the enclosure door**. Stretch the free end of the spring until it reaches the **frame hole just left of the T-joint**.



ASSEMBLY

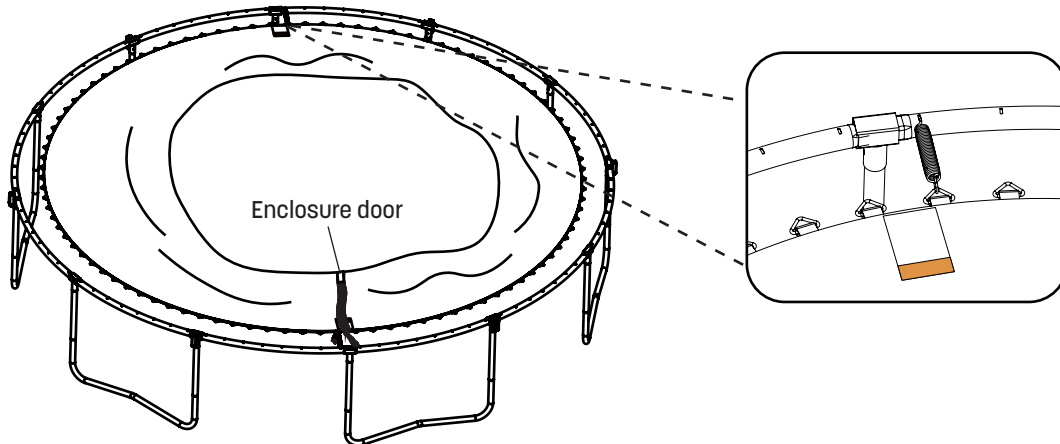
STEP 7



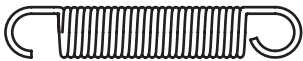
8 Springs (x1)

Now, **repeat step 8** on the **other side** of the trampoline placing a spring in the **V-ring to the left of the warning label** on the jump mat and **to the left of the T-joint**.

You now have attached two springs to the V-rings and frame holes.



STEP 8

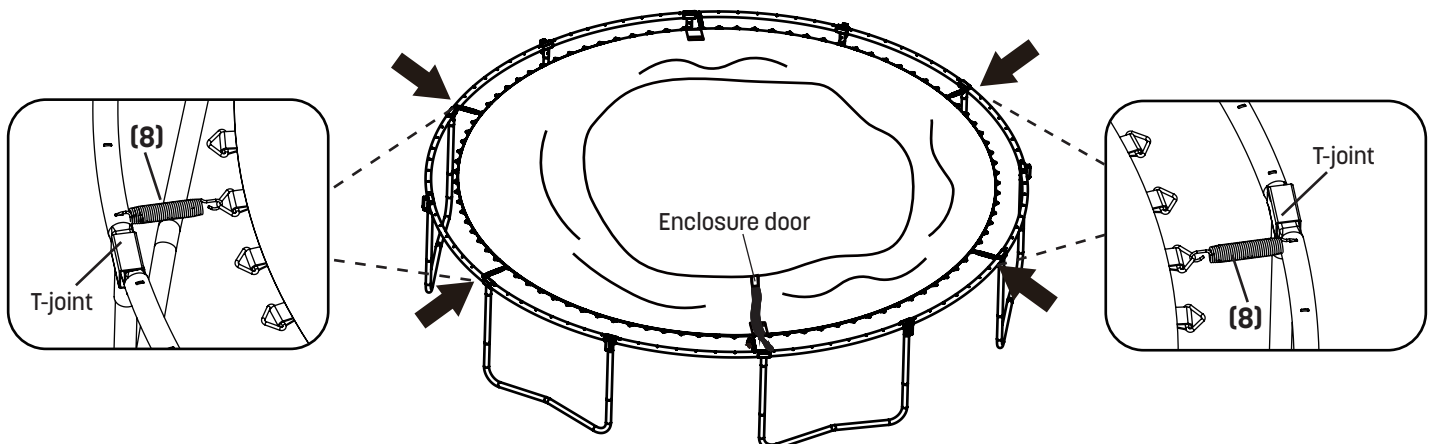


8 Springs (x4)

Locate the remaining T-joints. Place springs into the **V-rings just left of the T-joints**, and stretch the springs until they reach the **frame hole just left of the T-joint**.

You have now attached six springs.

Pro tip: Count the exact number of V-rings and frame holes so each one corresponds! This will help to prevent any misalignments!



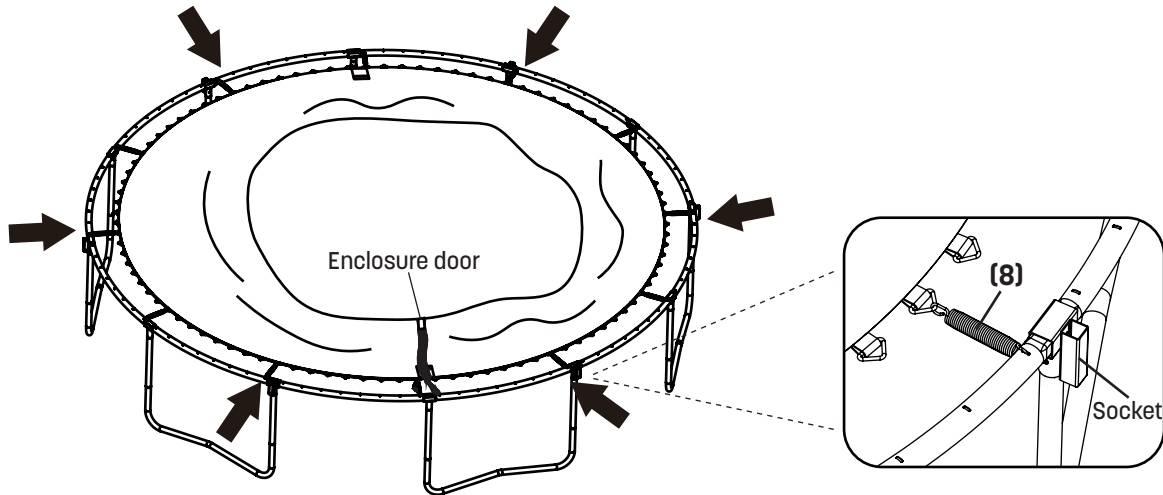
STEP 9



8 Springs (x6)

Next, place six springs into the V-rings just left of the sockets, and stretch the springs until they reach the frame holes just left of the sockets.

You now have attached 12 springs. *There should be seven V-rings and seven frame holes in between each spring.*



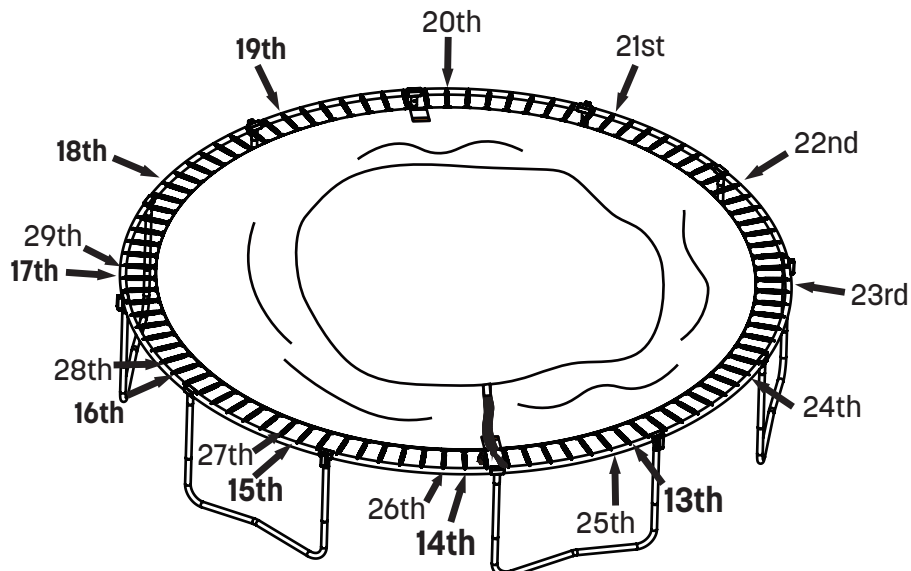
STEP 10



8 Springs (x84)

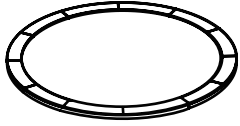
Now, place one spring directly to the left of each spring already placed. Continuing in a **clock-wise direction**, attach the remaining springs following the pattern of placing springs directly to the left of already placed springs until all 96 springs have been placed.

Pro-tip: Follow the pattern here (placing a spring to the left of an already placed spring.) Placing springs one directly after the other can increase tension causing springs to become increasingly difficult to place.



ASSEMBLY

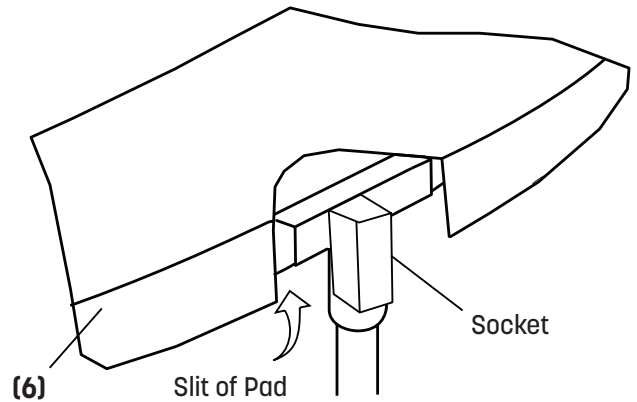
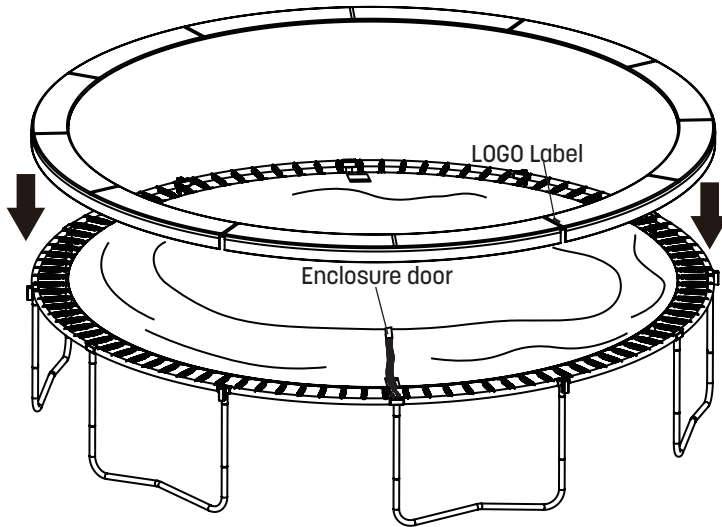
STEP 11



6 Frame Pad (x1)

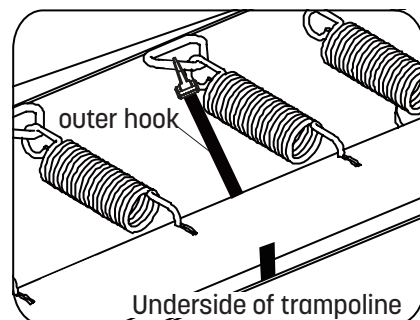
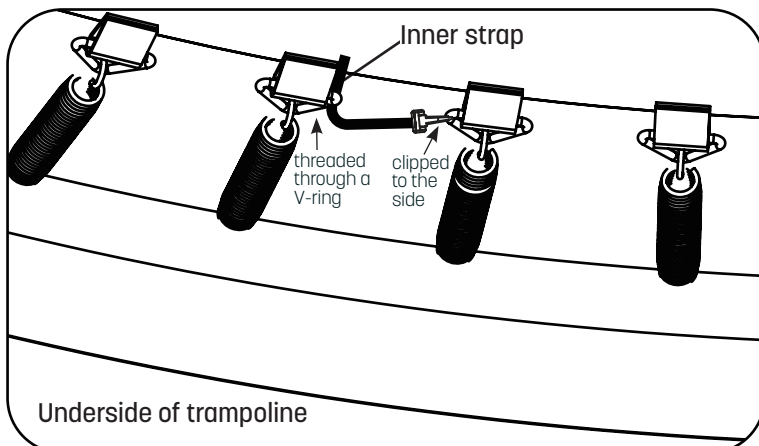
Place the frame pad **(6)** on **top of the springs**. Adjust the frame pad so that the **slits** are directly above the T-sockets and the logo tag sits to the right side of the enclosure door as shown.

Important: Don't use the trampoline without the frame pad. It's designed to protect your little jumpers! Trust us on this one.

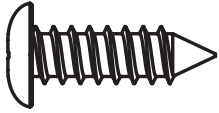


STEP 12

Look under the trampoline. Find the straps that are attached to the underside of the frame pad **(6)**. Position the **inner straps** so that one strap is **threaded through one V-ring** then **clipped to the side of the V-ring next to it as shown**. Position the **outer straps** so they **wrap under the frame and attach to a V-ring**.



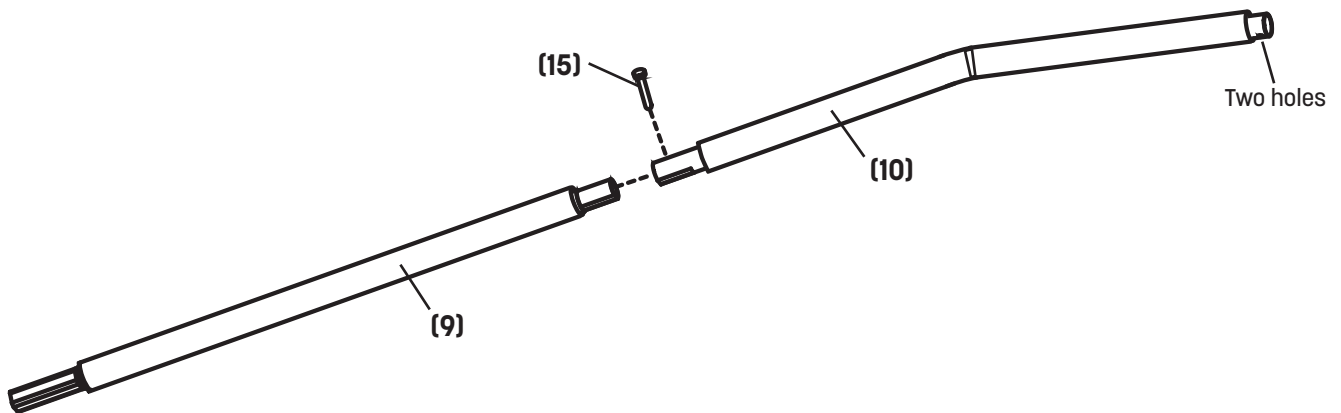
STEP 13



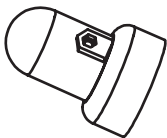
15 Self-tapping Screws (x6)

Insert one straight tube with foam (9) into one curved tube with foam (10), and secure with one self-tapping screw (15). **Important: On the curved tube there is one end that has two holes. Make sure that end is on top!**

Repeat this step to attach the five remaining straight tubes and curved tubes together.



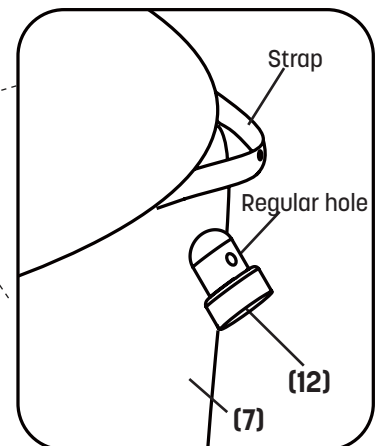
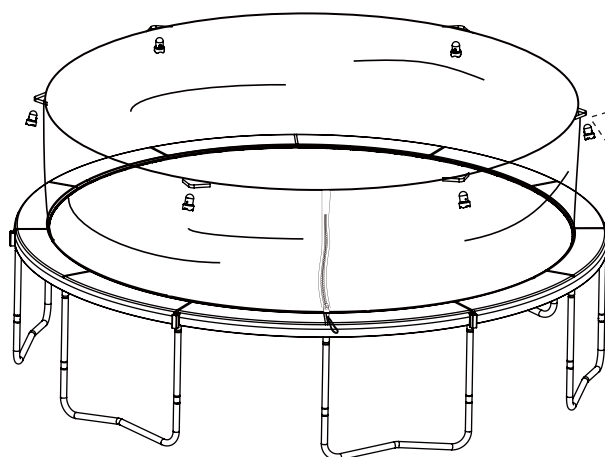
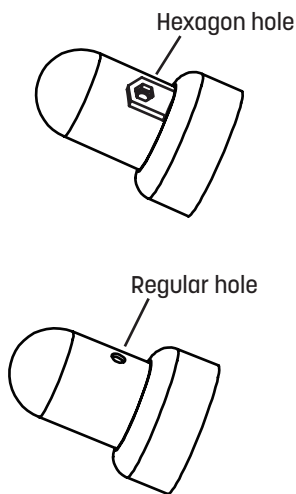
STEP 14



12 Pole Cap (x6)

Important: The pole cap (12) has two sides; one with a hexagon hole, and one with a regular hole.

Insert the pole cap into one strap ring found on the top of the enclosure net. Make sure the **hexagon hole** is facing the net, and the **regular hole** is facing you.



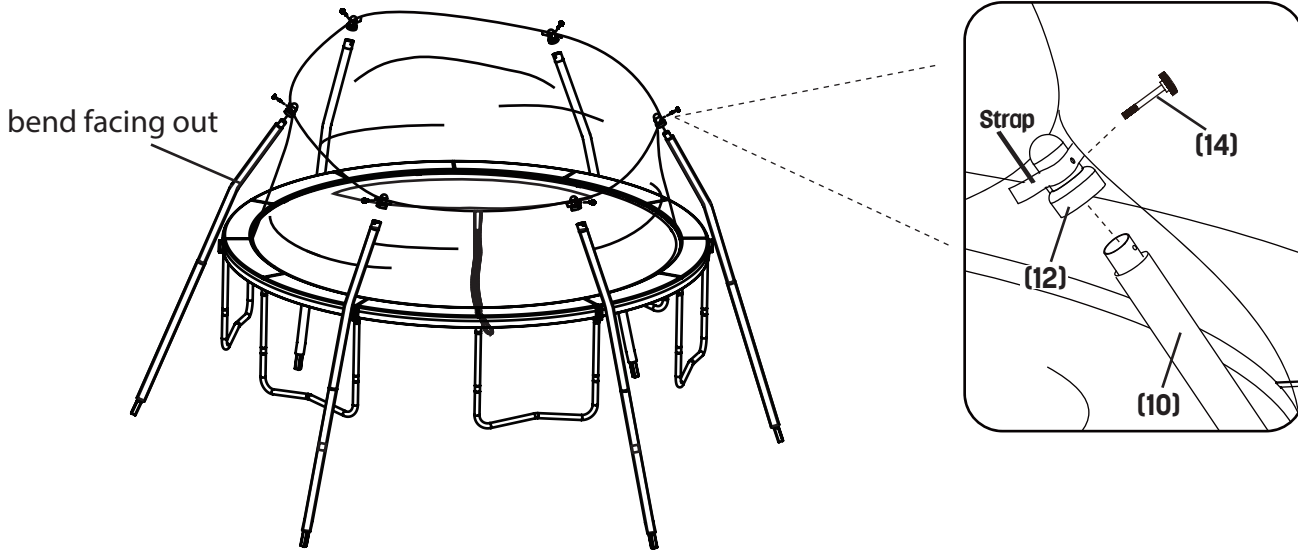
ASSEMBLY

STEP 15



14 M5X44mm Bolt (x6)

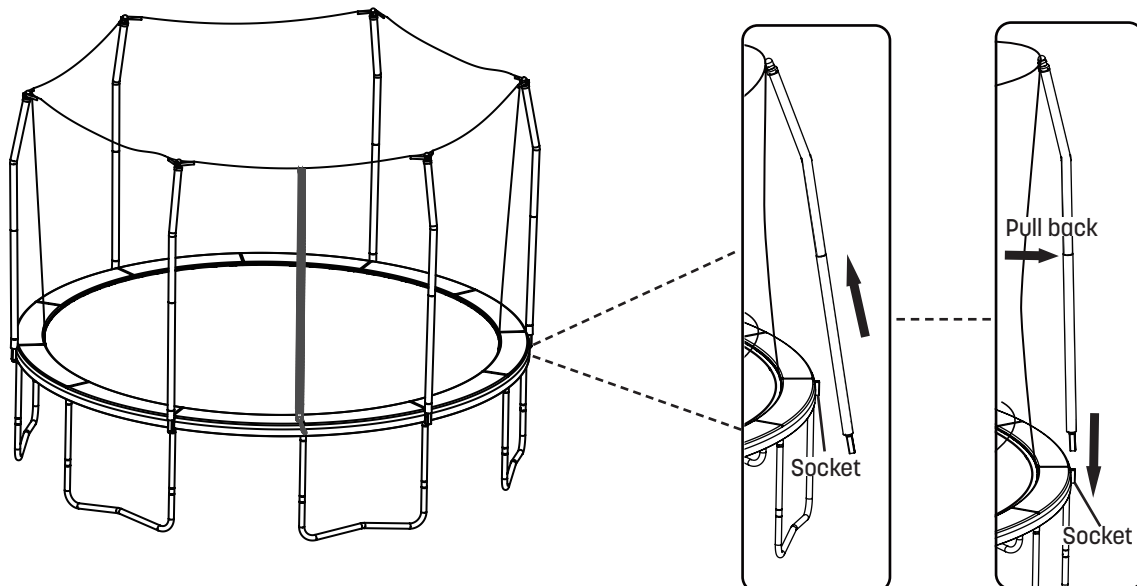
Next insert a curved tube **(10)** into the pole cap **(12)**. Make sure the bend of the enclosure poles are **facing out away from the center** of the trampoline. Make sure the holes on the curved tube, pole cap, and strap ring are all aligned. Then insert a M5X44mm bolt **(14)** to secure in place. **Important: Make sure the bolt goes into the round hole (not the hexagon hole) or you could break the pole cap!** Repeat steps 17-18 to assemble the remaining pole caps.



STEP 16

Starting from the enclosure door, lift one of the assembled poles and insert the straight tube **(9)** into the socket. Repeat this process to assemble the five remaining poles.

Helpful tip: When inserting the enclosure poles, pull back on the middle of the poles!

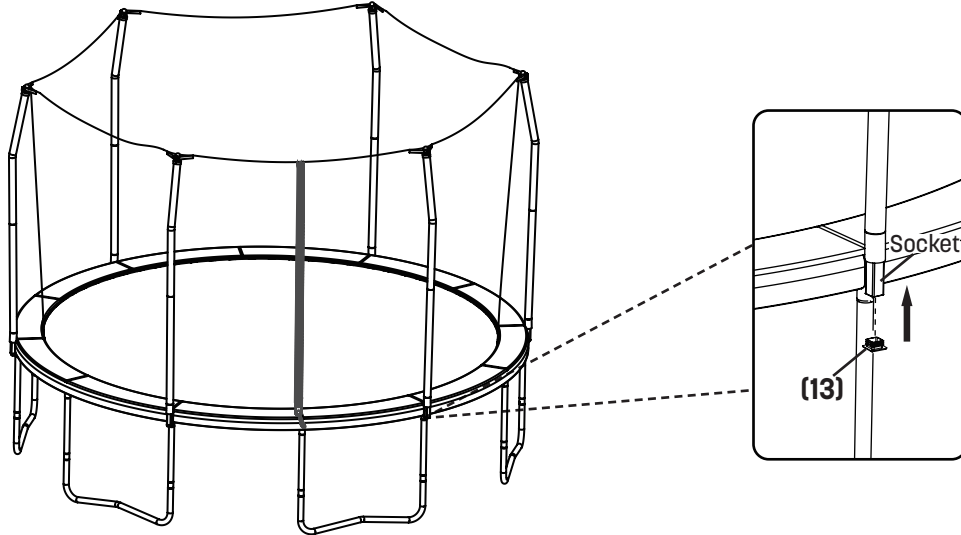


STEP 17



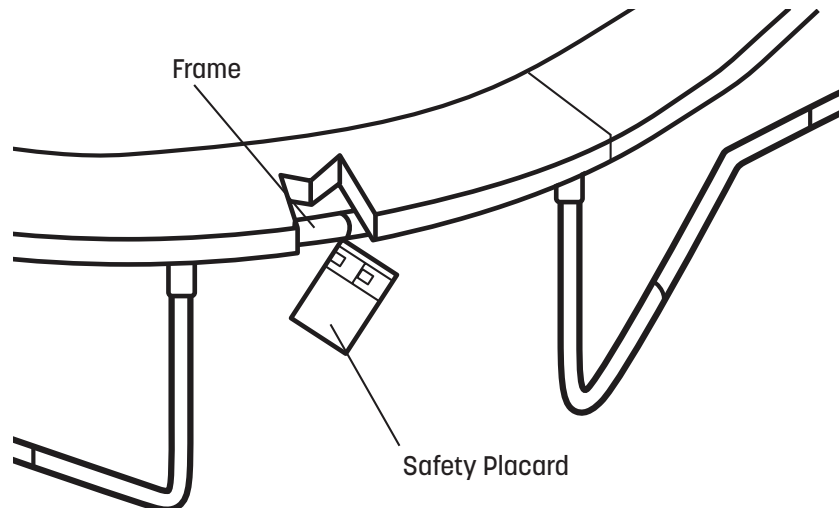
13 End cap (x6)

Insert the end caps **(13)** into the bottom of the sockets.



STEP 18

LAST STEP YOU'RE IN THE FINAL HOME STRETCH. Using the included plastic tie, attach the safety placard to the trampoline frame close to the enclosure door.



ASSEMBLY

STEP 19

Congratulations on completing your new trampoline! [See, we knew you could do it!] So here comes the real question, **are you satisfied with this completed product?** If you are, go ahead and **write a review** on our website. We'd really appreciate it, and if we could, we'd give you a gold star.

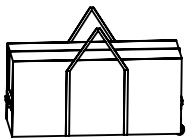
Have questions? Contact us directly! We're happy to help. See contact info on page 2-3.



TIME TO ACCESSORIZE!
CHECK OUT OUR WEBSITE
FOR BASKETBALL HOOPS,
GAMES, LADDERS, COVERS
AND SO MUCH MORE!



STEP 20

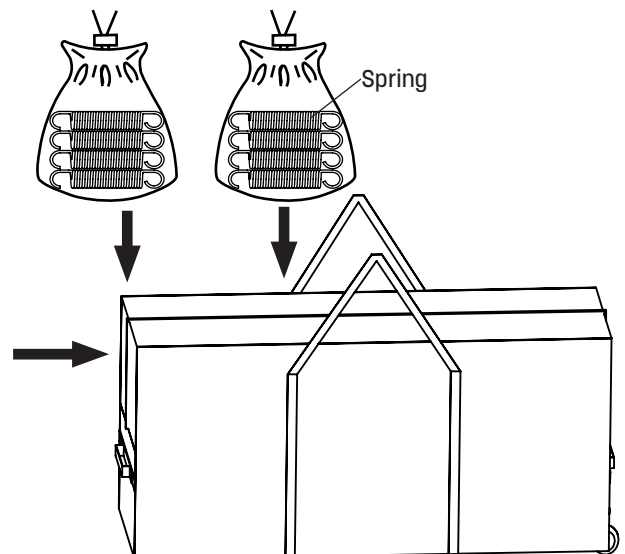
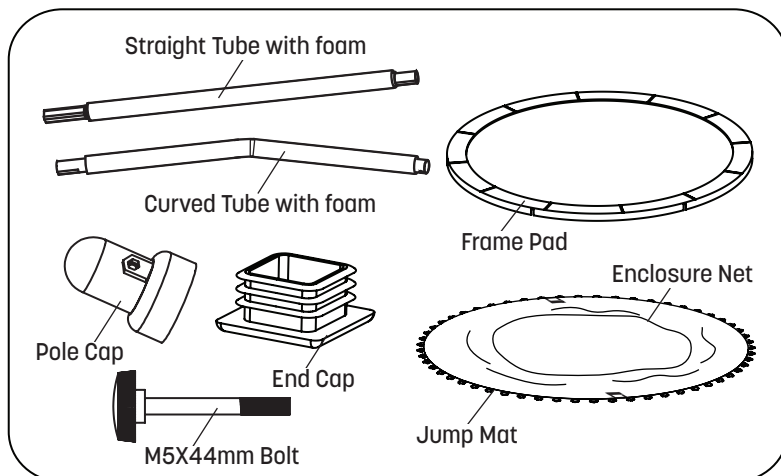


19 Storage Bag (x1)



20 Spring Bag (x2)

To lengthen the life of your product, we recommend putting your enclosure poles, springs, and all soft materials away for the winter months. First, disassemble your trampoline down to the bare frame (the frame can stay up). Then, in the provided storage bag, place the enclosure poles in the bag, then fold and layer your soft materials on top. Place all the springs into the spring bags and tuck them into the storage bag as well. Then cinch everything down tight with the internal straps. Finally, place the bag in a covered and dry location until spring.



MAINTENANCE & CARE INFORMATION

Congratulations and **high five** on successfully assembling your new Skywalker Trampolines Trampoline with Enclosure! Now, the best way to keep your new trampoline in tip top shape, is to periodically check for:

- Missing, improperly positioned, or insecurely attached frame padding, netting, enclosure tubes, or foam sleeves
- Punctures, frays, tears, or holes worn in the mat, frame padding, netting, or foam sleeves
- Deterioration in the stitching or fabric of the mat, frame padding, or netting
- Ruptured or missing springs
- Bent or broken frame, leg, or enclosure tubes
- Sagging bed (mat) or netting
- Sharp protrusions on the frame, suspension system, or enclosure tubes

If you notice any of the above conditions, please disassemble the trampoline and/or the enclosure net until new parts are ordered!

Moving the Trampoline and Enclosure

If the trampoline and enclosure needs to be moved, it should be moved by two people, kept horizontal, and lifted slightly. If necessary, the trampoline and enclosure can be taken apart for moving. To take the trampoline apart, follow the assembly steps in reverse order. Do not attempt to take the frame sections, legs, or bases apart before the mat and springs have been removed.

Don't forget to check us out online! **We'd love to hear from you.**



@skywalkertrampolines



skywalkertrampolines



@skywalker_trampolines



@swtrampolines



@skywalkertrampolines



www.skywalkertrampolines.com


INSTRUCTIONS FOR USE WARNING

To reduce the risk of serious injury, read and follow all of the warnings, precautions, and instructions in this manual before you use the trampoline and enclosure. Warnings and instructions for care, maintenance, and use of this trampoline and enclosure are included to promote safe enjoyable use of this equipment.


1. It is the responsibility of the owner and supervisors of the trampoline and enclosure to make sure all users obey the safety instructions given in this manual. The trampoline should only be used with mature, knowledgeable supervision.
2. Secure the trampoline and trampoline enclosure against unauthorized and unsupervised use. If you use a ladder to get on and off the trampoline, be sure to remove it when the trampoline and enclosure are not being used to prevent unsupervised access by children under 6 years of age.
3. Be sure there is enough clear space above the trampoline and enclosure before use. It is best to have at least 24 feet (7.3 meters) of clear space above the ground. This space must be clear of wires, tree limbs, and any other possible hazards.
4. Lateral (sideways) clearance is very important. Do not place the trampoline and enclosure near walls, buildings, fences, sidewalks, and other play areas. Always keep a clear space on all sides of the trampoline and enclosure.
5. Remove any objects that could interfere with the jumper. Maintain a clear area around and under the trampoline.
6. Be sure the trampoline and enclosure are on a level surface before use.
7. Always inspect the trampoline and enclosure before each use. Make sure that the frame, padding, netting, enclosure tubes, and foam sleeves are correctly and securely positioned. Replace any worn, defective, or missing parts. (Jumpers may be hurt if the trampoline and enclosure are used when they are in poor condition.)
8. Bounce only when the surface of the mat (bed) is dry. There should be very little or no wind or air movement. The trampoline and enclosure must not be used in gusty or severe winds.
9. The trampoline and enclosure frames are made of metal. They are not grounded and will conduct electricity. For this reason, an electrocution hazard exists. No lights, electric heaters, extension cords, or household electrical appliances are to be permitted on the trampoline or in enclosure at any time.
10. Use the trampoline and enclosure in an area with lots of light. If the trampoline and enclosure are indoors or in shady areas, you may need to use artificial (electrical) lighting in the area.
11. During the winter months, the trampoline soft materials will need to be removed and stored in a dry place. If left up in the winter months, it may cause damage to the springs, jump mat, spring pad, and enclosure. The warranty will be void.
12. This trampoline and enclosure is made for users who weigh less than 250 lbs.
13. Trampolines over 20 in. (51 cm) tall are not recommended for use by children under 6 years of age.
14. The trampoline enclosure is to be used only with the size of trampoline for which the enclosure is designed.
15. Misuse and abuse of the trampoline enclosure is dangerous and can cause serious injury.
16. Do not attach anything to the enclosure barrier that is not a manufacturer-approved accessory or part of the enclosure system.
17. Please remove any jewelry before jumping begins. Jewelry may get caught in the enclosure netting.
18. Wear clothing free of drawstrings, hooks, loops, or anything that could be caught while using the trampoline/enclosure and result in entanglement, strangulation, or both.
19. DO NOT allow more than one person on the trampoline. Use by more than one person at the same time can result in serious injuries.
20. DO NOT jump on the trampoline while you have or are holding any objects, especially something sharp or breakable.
21. DO NOT use the trampoline and enclosure if you have been using alcohol or drugs.
22. DO NOT attempt or allow somersaults (flips) on the trampoline. Landing on the head or neck can cause serious injury, paralysis, or death, even when landing in the middle of the jumping mat.
23. Always climb on to and off of the trampoline. It is a dangerous practice to jump from the trampoline to the floor or ground when dismounting, or to jump onto the trampoline when mounting.
24. DO NOT use the trampoline as a springboard to other objects. Enter and exit the enclosure only at the enclosure door or barrier made for that purpose.
25. DO NOT attempt to crawl under, jump over, intentionally bounce off of, hang from, climb on, kick, or cut the barrier netting.
26. While keeping head erect, focus eyes on the trampoline toward the perimeter. This will help control bounce.
27. Stop bouncing by flexing knees as feet come in contact with the trampoline bed. Learn this skill before attempting others.
28. Avoid bouncing too high. Stay low until bounce control and repeated landings in the center of the trampoline can be accomplished. Control is more important than height.
29. Avoid bouncing when tired. Keep turns short.
30. Learn fundamental bounces and body positions thoroughly before trying more advanced skills. A variety of trampoline activities can be carried out performing the basic fundamentals in various series and combinations, performing one fundamental after another, with or without feet bounces between them.
31. For additional information concerning the trampoline equipment contact the manufacturer. For information concerning skill training, contact a certified trampoline instructor.
32. Do not use or stand near the trampoline in windy or gusty conditions. A trampoline can become airborne when exposed to sustained wind or gusting wind conditions. This can result in serious injury, paralysis, or death, as well as property damage. To reduce these risks, disassemble the trampoline and enclosure and store them until weather conditions improve. Anchoring a trampoline frame may prevent the trampoline from moving as a result of the wind, but even anchored trampolines can become airborne or damaged. Consult a qualified contractor to determine what type of anchor works best in your location.

WARNING LABEL PLACEMENT

WARNING



Do not attempt or allow somersaults. Landing on your head or neck can cause serious injury, paralysis, or death, even when landing in the middle of the mat. Use trampoline only with mature, knowledgeable supervision.



Only one person at a time on the trampoline. Do not allow more than one person on the trampoline. Use by more than one person at the same time increases the chance of injury. Use trampoline only with mature, knowledgeable supervision. This trampoline is not recommended for children under 6 years of age.

For the Supervisor:
Read the instructions before using the trampoline. Enforce all of the safety rules and be familiar with the information in the User Manual to help new users learn basic jumps and all users to follow trampoline safety.

All trampoline users must have mature, knowledgeable supervision, regardless of the skill or age of the jumper.

This trampoline is not recommended for use by children under 6 years of age.

Inspect the trampoline before using. Keep frame pad in place. A worn or damaged mat (bed), spring, or frame piece should be replaced immediately.

Keep objects away that could interfere with the jumper.

Secure the trampoline against unauthorized and unsupervised use.

Do not use when trampoline is wet or in a windy condition.

For the Jumper:
Do not use the trampoline when under the influence of drugs or alcohol.

Avoid bouncing when tired.

Jumping:
Learn the basic jumps and body positions very well before trying more difficult stunts. Study the User Manual to learn how to do basic jumps.

Stop your bounce by flexing your knees as your feet come in contact with the trampoline mat (bed).

Avoid jumping too high or for too long. Always control your jump. A controlled jump is one where the take off and land spots are the same.

Bounce in the center of the trampoline. Focus eyes on trampoline toward the perimeter mat. Failure to do so may result in a loss of balance and control.

Bounce one at a time, and always have someone watch you.

Getting on and off:
Climb on and off the trampoline. Do not jump on or off. Do not use the trampoline as a springboard to other objects.

For further equipment information contact SkyWalker. For skill training information, contact a trainer certification organization.

ATTACH TO TRAMPOLINE

WARNING




Do not attempt or allow somersaults. Landing on your head or neck can cause serious injury, paralysis, or death, even when landing in the middle of the mat.



Use trampoline only with mature, knowledgeable supervision. Only one person at a time on the trampoline. Do not allow more than one person on the trampoline. Use by more than one person at the same time increases the chance of injury. Use trampoline only with mature, knowledgeable supervision. This trampoline is not recommended for children under 6 years of age.

WARNING




Do not attempt or allow somersaults (Flips)

Do not land on head or neck.

Landing on your head or neck can cause serious injury, paralysis, or death, even when landing in the middle of the mat.

Use trampoline only with mature, knowledgeable supervision.



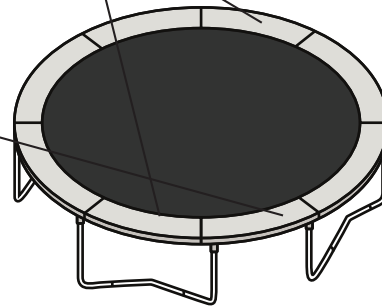
Do not allow more than one person on the trampoline. Multiple jumpers increase the chance of loss of control, collision and falling off. This can result in broken head, neck, back, or legs.

Use Trampoline only with mature, knowledgeable supervision.

This trampoline is not recommended for children under 6 years of age.


Read all of the instructions before using this trampoline.

Inspect before using and replace any worn, defective or missing parts.




WARNING

Enclosure Safety Instructions



DO NOT land on head or neck. Paralysis or death can result, even if you land in the middle of the trampoline mat (bed).



Do not do somersaults (Flips). Use trampoline enclosure only with mature, knowledgeable supervision. Enforce all safety rules and be familiar with the information in the User's Manual to help users in following enclosure instructions and trampoline safety.

For the Supervisor
Keep enclosure tightly fastened to the trampoline in accordance with the manufacturer's instructions. Failure to properly assemble and maintain a tight, secure trampoline enclosure boundary may result in serious injury, strangulation or death.

Do not exceed the weight limit recommended by the manufacturer.

Use only when trampoline mat (bed) is clean and dry. Inspect the trampoline and trampoline enclosure prior to each use and replace any worn or damaged parts.

Use only when the enclosure barrier has no holes, pole clamps are tightly secured to the poles and the support (frame), and the barrier is properly suspended.

This trampoline enclosure system is not recommended for use by children under 6 years of age.

For the Jumper
Do not use the trampoline when under the influence of drugs or alcohol.

Jumping
Avoid jumping too high or for too long. Always control your jump. Do not try to jump over the barrier.

Do not intentionally rebound off the barrier. Do not hang from, kick, cut or climb on the barrier.

Wear clothing free of drawstrings, hooks, loops or anything that could get caught while using trampoline enclosure and result in entanglement, strangulation or both.

Do not attach anything to the barrier that is not manufacturer approved accessory or part of the enclosure system.

Getting on and off
Climb on and off the trampoline at the enclosure door or barrier opening. Do not jump on or off. Do not crawl under the barrier. Do not use the trampoline as a springboard to other objects.

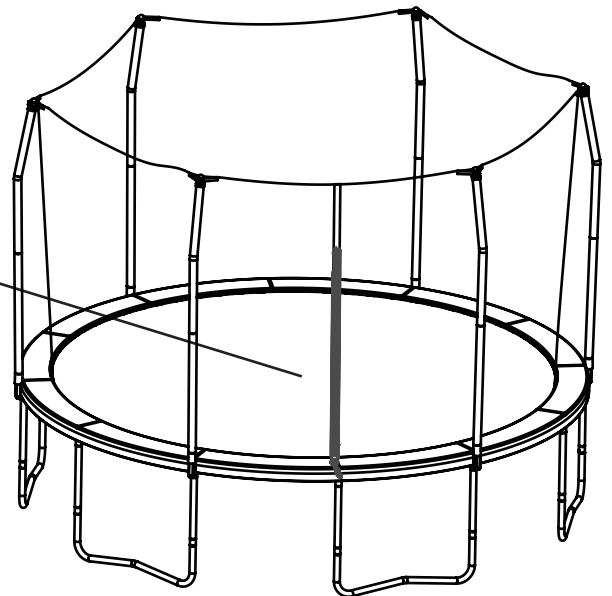
Do not jump from other objects, buildings or surfaces onto the trampoline, or into or over the trampoline enclosure.

For further equipment information contact SKYWALKER TRAMPOLINES.

For skill training information, contact a trainer certification organization.

ATTACH TO NETTING AT DOOR

tw14



The placard shown above was sewn to the trampoline enclosure netting.

Note: The labels and placard shown are not actual size.

The labels shown on this page have been attached to the trampoline in the indicated locations. The safety instructions placard will need to be attached by the owner. If one of the labels or the placard is missing or illegible, call our Customer Care Hot Line toll-free at 1-866-603-JUMP (5867) to order a free replacement label or placard.

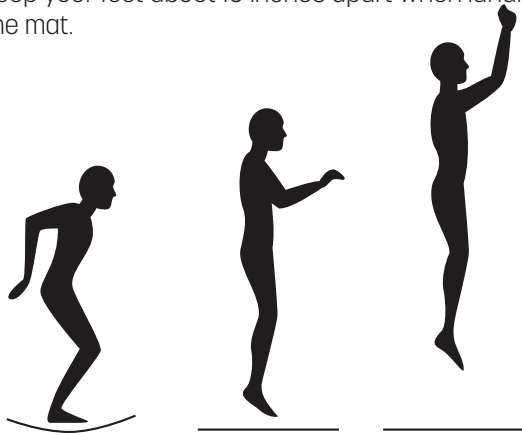
INSTRUCTIONS & MODEL LESSONS

The following lessons are examples of an instructional program. They should follow a complete discussion and demonstration of body mechanics between the supervision and the student(s).

1. Fundamental bounce: Demonstration and practice.
2. Knee Drop: Demonstration and practice.
3. Hand and Knee Drop: Demonstration and practice, stressing four-point landing and alignment.
4. Back Drop: Demonstration and practice.
5. Seat Drop: Demonstration and practice.
6. Front Drop: Demonstration and practice.
7. Half Turntable: Demonstration and practice.
8. Swivel Hips: Demonstration and practice.
9. Mounting and dismounting: Demonstration and practice of proper techniques.
10. Breaking: Demonstration and practice. Breaking on command.

Lesson 1: Fundamental Bounce

1. Start from a standing position with your head erect and your eyes on the frame pad.
2. Swing your arms forward and up in a circular motion.
3. Bring your feet together and point your toes downward while in the air.
4. Keep your feet about 15 inches apart when landing on the mat.



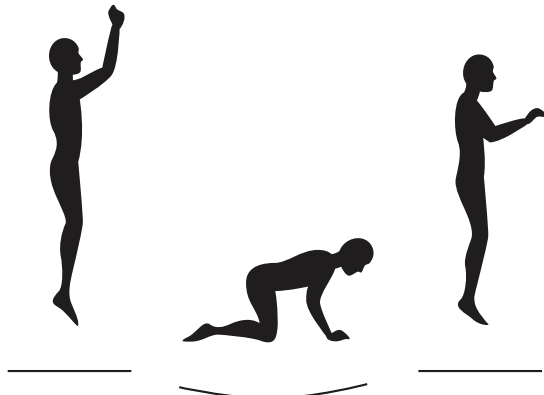
Lesson 2: Knee Drop

1. Start bouncing from a standing position, keeping your eyes on the frame pad.
2. Land on your knees, keeping your back straight and your body erect.
3. Come back up to an erect position.



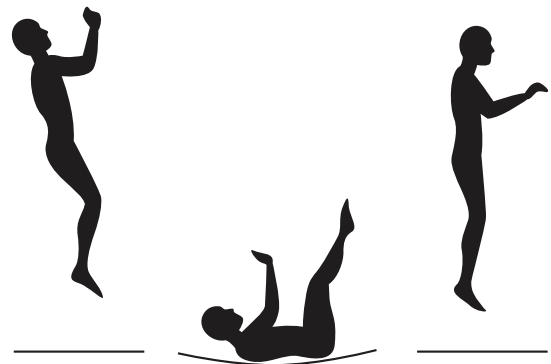
Lesson 3: Hand and Knee Drop

1. Start bouncing from a standing position, keeping your eyes on the frame pad.
2. Land on the mat on your hands and knees.
3. Push with your hands and come back up to an erect position.



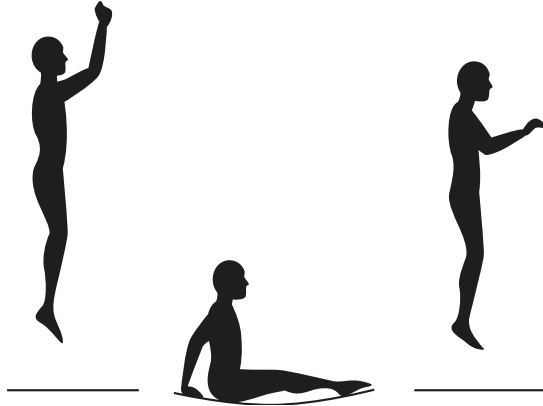
Lesson 4: Back Drop

1. Start from a low bounce and land on your back.
2. Keep your chin forward on your chest as you land.
3. Kick forward and up with your legs to return to an erect position.



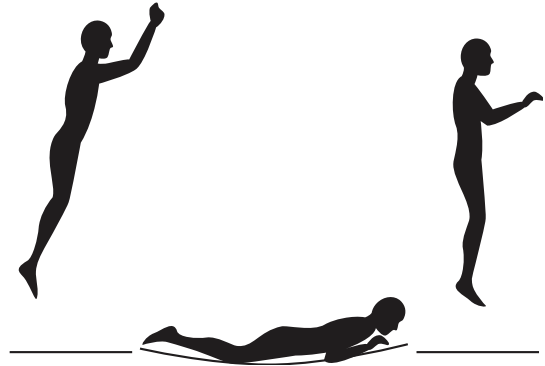
Lesson 5: Seat Drop

1. Land in a sitting position with your legs parallel to the mat.
2. Place your hands on the mat beside your hips.
3. Push with your hands to return to an erect position.



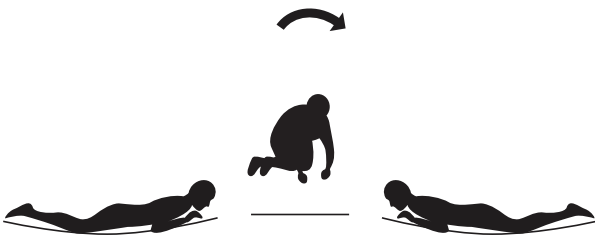
Lesson 6: Front Drop

1. Start from a low bounce and land on the mat in a prone position.
2. Keep your head up and your arms extended forward on the mat.
3. Push with your arms to return to an erect position.



Lesson 7: Half Turntable

1. Start from the front drop position and push to the left or right with your arms turning your body in the opposite direction.
2. Turn your head and shoulders toward the direction that your body is turning.
3. Keep your back parallel to the mat and your head up.
4. After completing a half turn, land in the front drop position.



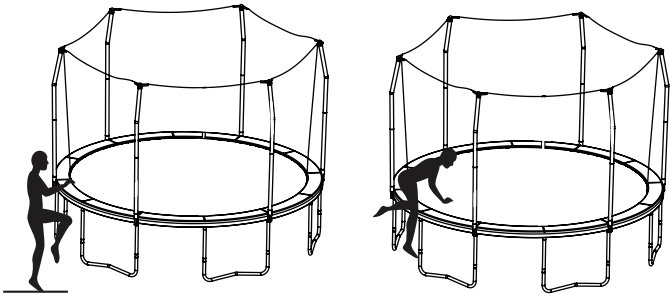
Lesson 8: Swivel Hips

1. Start with a seat drop.
2. Turn your head to the left or right and swing your arms up in the same direction.
3. Turn your hips in the same direction as your head and arms, completing a twist.
4. Land in the seat drop position.
5. Keep your legs parallel to the mat and your head up.
6. After completing a half turn, land in the front drop position.



Lesson 9: Mounting and Dismounting

1. Users should climb onto the trampoline by placing their hands on the frame and stepping or rolling up onto the frame, across the springs and onto the mat.
2. To dismount, jumpers should walk to the side of the mat, bend over and place their hands on the frame, then step from the mat to the ground.



Lesson 10: Breaking

1. Starting from a standing position, jump into the air.
2. As you land on the mat, bend your knees sharply to stop the jump.



Once each of these lessons are learned, the student should now be encouraged to design and organize routines, with emphasis on good form. The instructor may judge or grade students and arrange groupings for further instruction accordingly.

To stimulate interest in competition, the game of "Trampoline Horse" can be introduced. Before the game begins, students must count off. To start the game, student number 1 performs a stunt then dismounts. Student number 2 then mounts the trampoline, performs the same stunt and adds a second stunt, then dismounts. Student number 3 mounts and performs stunts 1 and 2 and adds a third stunt, then dismounts. Thus the series of stunts is continuously lengthened. The first person to miss a stunt in the series assumes the letter "H" and starts a new series with a stunt. If a person misses again, he assumes the letter "O." When a person accumulates "H-O-R-S-E," he or she is eliminated from the game. The last remaining contestant is the winner. Lesson planning from this point on should be facilitated by contacting a certified trampoline instructor.

TRAMPOLINE SAFETY INFORMATION

In trampoline use, as in all active recreational sports, participants can be injured. However, there are steps that can be taken to reduce risk of injury. In this section, primary accident patterns are identified and the responsibilities of supervisors and jumpers in accident prevention are described.

ACCIDENT CLASSIFICATION

Somersaults (flips): Landing on your head or neck, even in the middle of the trampoline mat, increases the risk of a broken back or neck, which can result in paralysis or death. Such events can occur when a jumper makes an error trying to perform a forward or backward somersault (flip). Do not perform somersaults (flips) on this backyard trampoline.

Multiple Jumpers: More than one jumper at a time on the trampoline increases the chance of a jumper becoming injured by losing control of his or her jump. Jumpers may collide with one another, fall off of the trampoline, fall onto or through the springs, or land incorrectly on the mat. The jumper weighing the least is the jumper most likely to be injured.

Mounting and Dismounting (Getting on and off): The trampoline mat is several feet above ground level. Jumping from the trampoline to the ground or any other surface may result in injury. Jumping onto the trampoline from a roof, deck, or other objects also presents a risk of injury. Smaller children may need assistance getting onto or down from the trampoline. Climb carefully onto and off of the trampoline. Do not step onto the springs or the frame pad. Do not grasp the frame pad to pull yourself onto the trampoline.

Striking the Frame or the Springs: Injury may result from hitting the frame or falling through the springs while jumping or getting onto or off of the trampoline. Stay in the center of the mat when jumping. Be sure to keep the frame pad in place to cover the frame. The frame pad is not made or intended to support the weight of the trampoline user. Do not step or jump directly on the frame pad.

Loss of Control: Jumpers who lose control of their jumps may land on the mat incorrectly, land on the frame or springs, or fall off of the trampoline. A controlled jump is one where the landing is in the same spot as the takeoff. Before learning a more difficult stunt, you should be able to do one over and over with control. Attempting a stunt beyond present skill levels increases the chance of loss of control. To regain control and stop your jump, bend your knees sharply when you land.

Alcohol or Drug Use: The chance of injury increases when a jumper has consumed alcohol or taken drugs. These substances impair a person's reaction time, judgment, and physical coordination.

Encountering Objects: Jumping on a trampoline while other people, pets, or objects are underneath it will increase the chance of getting hurt. Jumping while holding or having an object on the trampoline, particularly one that is sharp or breakable, will increase the chance of injury. Placing a trampoline too close to overhead electrical wires, tree limbs, or other objects can increase the chance of injury.

Poor Maintenance of the Trampoline: Jumpers may be injured if a trampoline is in poor condition. A torn mat, bent frame, broken spring, or missing frame pad, for example, should be replaced before anyone is allowed to jump. Inspect the trampoline before each use.

Weather Conditions: A wet trampoline is too slippery for safe jumping. Gusty or high winds can cause jumpers to lose control. To reduce the chance of injury, use the trampoline only when the weather is good.

Access: To prevent access to the trampoline by unsupervised smaller children, the optional access ladder should always be taken away and stored in a safe place when the trampoline is not in use.

ENCLOSURE SAFETY INFORMATION

NEED FOR TRAMPOLINE ENCLOSURE SAFETY

A trampoline enclosure is a recreational product. The information on this page identifies important safety precautions. The precautions are not all-inclusive, because an enclosure can be used in ways that this manual cannot cover completely.

To prevent pinches and cuts during enclosure use, a frame pad must be installed on the trampoline (see the trampoline manufacturer's instructions). The frame pad must be placed on the trampoline before the enclosure is erected. The frame pad reduces the chance of injury from accidental contact with the springs and frame.

USING THE ENCLOSURE SAFELY

Adult Supervision of Children

Children using a trampoline with a trampoline enclosure must be supervised by adults. Young children must be supervised constantly. Adults must pay particular attention to:

- Things that children bring into the enclosure
- Children's activities inside the enclosure
- Conditions inside the enclosure while children are using it
- The way children enter and exit the enclosure

Additional details of safety enclosure use are described below:

Electrocution Hazard Associated with the Metal Frame of the Trampoline and Enclosure

The trampoline and enclosure frames are made of galvanized steel. They are not grounded and will conduct electricity. For this reason, an electrocution hazard exists. No lights, electric heaters, extension cords, or household electrical appliances are to be permitted on the trampoline or in the enclosure at any time.

Hazards Associated with Entering and Exiting the Trampoline Enclosure

A trampoline enclosure installed on a trampoline is raised off the ground. The height of the enclosure increases the risk of a fall when a jumper is entering or leaving the enclosure. Young children especially may have difficulty entering and exiting the enclosure. To reduce the risk of falling, always help young children to get into and out of the enclosure.

Enter and exit the trampoline enclosure only through the door of the enclosure (the opening in the netting walls). The trampoline mat (bed) and the netting walls of the enclosure are separate pieces. No jumper, especially young children, should ever leave the enclosure by going out between the mat and the netting walls. Trying to get out this way creates a risk of choking from being caught between the trampoline frame and the netting walls.

Darkness increases the chances of a fall when a jumper is entering or leaving the enclosure. Do not use the trampoline unless there is plenty of lighting provided.

Hazards Associated with Animals, Sharp or Breakable Objects

To avoid damage to the trampoline enclosure and the trampoline, do not allow pets or other animals inside of the enclosure. The claws and teeth of animals can damage the netting. Do not jump on the trampoline while holding or wearing a sharp or breakable object.

METHODS OF ACCIDENT PREVENTION

THE SUPERVISOR'S ROLE IN PREVENTING ACCIDENTS

It is the responsibility of the supervisors of trampoline users to provide knowledgeable and mature supervision. They need to know and enforce all of the rules and warnings printed in this manual to minimize the likelihood of accidents and injuries. They also need to inform users of these rules. During periods of time when supervision is unavailable or inadequate, this may require that the trampoline is taken down, placed in a secure area, or otherwise secured against unauthorized use. Another option that may be considered is covering the trampoline with a heavy tarp that can be secured with locks and chains. It is the responsibility of the supervisor to make sure that the placard with trampoline safety instructions is kept posted on the trampoline and that jumpers are informed about these instructions.

THE JUMPER'S ROLE IN PREVENTING ACCIDENTS

Education on the part of the user is a must for safety. Users must first learn a low, controlled bounce and then learn the basic landing positions and combinations before proceeding to intermediate skills. Jumpers must understand why they have to master "control" before they can start thinking about other moves. Understanding the proper progression of skills in jumping on a trampoline must be the first lesson. Review this manual to learn about the basic techniques for using the trampoline. Follow the rules on the placard with trampoline safety instructions (see step [25] in assembly instructions). For further information or additional instructional materials, contact a certified trampoline instructor.

TRAMPOLINE SAFETY INSTRUCTIONS

For the Supervisor

Read the instructions before using the trampoline. Enforce all of the safety rules. Become familiar with the information in this manual so you can help new users learn basic jumps and all users follow trampoline safety. All trampoline users must have mature, knowledgeable supervision, regardless of their skill or age. This trampoline is not recommended for use by children under 6 years of age. Inspect the trampoline before using it. Do not use the trampoline without the frame pad securely in place to cover the frame. Do not use the trampoline in wet or windy conditions. A worn or damaged mat, spring, or frame piece should be replaced immediately.

Jumping

Learn fundamental jumps and body positions thoroughly before trying more advanced skills. Know your own limits in performing each of the trampoline jumps. Study this manual to learn how to do basic jumps. Stop your bounce by flexing your knees as your feet come in contact with the trampoline mat. Learn this skill before attempting any others.

HAZARDS ASSOCIATED WITH HIGH WINDS

A trampoline with an enclosure can be moved or blown over by high winds. Anyone in its path, or inside of the enclosure, may be injured if this happens. If you expect high winds, take down the enclosure netting and stake the trampoline frame to the ground, or move the trampoline and enclosure to a sheltered location. The only sure method to protect your trampoline and the surrounding environment during high winds is to completely disassemble the unit and store indoors. Damage due to wind or weather is not warranted.

LIMITED WARRANTY

Skywalker Holdings, LLC warrants its products to be free from defects in material and workmanship under normal use and service conditions. **For this product, the steel frame is warrantied for seven (7) years after the date of purchase. The jump mat, enclosure poles, and springs are warrantied for three (3) years after the date of purchase. All other parts are warrantied for one (1) year after the date of purchase.** Warranty coverage extends only to the original retail purchaser from the date of original purchase. This warranty is only valid concerning products used for residential use. Products used for commercial use, such as schools and daycares, will not be covered.

WHAT IS NOT COVERED?



Weather Damage: The warranty does not cover damage due to the effects or acts of nature, such as earthquakes, wind, hurricanes, tornadoes, lightning, rain, fire, snow, excessive heat and cold conditions and/or sun damage. During the winter months the trampoline soft materials will need to be removed and stored in a dry place out of the snow. If left unprotected in the winter months, some components such as springs, jump mat, spring pad and enclosure, may become damaged, voiding this warranty.



Fading and Rust: Our products are fully galvanized. Skywalker does not warranty against rust or corrosion. Some areas may have higher air salt content, higher humidity, heavier rain and heavier snow. Skywalker does not warranty against fading. We suggest customers use a UV protectant on the frame pad to extend the life of the product.



Loss or Damage: Loss or damage to product caused during shipping or caused by abuse, misuse, improper or abnormal usage or unauthorized repair are not covered by this warranty and may also void the warranty.



Unauthorized Replacement Parts: The warranty will become void if any defects or damages are associated with the use of unauthorized replacement parts or accessories. All replacement parts and accessories must be obtained from an authorized agent.



Assembly Service: The warranty does not cover acts or omissions provided by a third-party assembly service. It is the customer's responsibility to check all boxes and confirm all components are included and in their proper condition before installation occurs.

INSPECTION AND REPLACEMENT PARTS:

1. Your trampoline should be inspected upon unpacking and set up and thereafter on a regular basis. Worn damaged, or broken parts should be replaced immediately and before use.
2. Call our Customer Service Department at 1-866-603-5867 to file a warranty claim. Be prepared to provide the following information: name, shipping address, a copy of your original sales receipt, a brief description of the problem and cause, trampoline model number and serial number. We may also ask for photos of the damaged/defective parts.
3. After reviewing your information and examining your photos, our customer service team will make the determination if this part is covered by this warranty. If so, a replacement part will be sent to you.

NOTE: All requested information must be provided in order to review your warranty claim.

To order replacement parts for your product please visit www.skywalkertrampolines.com

Skywalker Holdings, LLC, PO Box 574, Brigham City, UT 84302 USA.

Printed in China © 2024 Skywalker Holdings, LLC

NOTE: SKYWALKER HOLDINGS, LLC IS NOT RESPONSIBLE OR LIABLE FOR INDIRECT, SPECIAL OR CONSEQUENTIAL DAMAGES ARISING OUT OF OR IN CONNECTION WITH THE USE OR PERFORMANCE OF THE PRODUCT OR OTHER DAMAGES WITH RESPECT TO ANY ECONOMIC LOSS, LOSS OF PROPERTY, LOSS OF REVENUE OR PROFITS, LOSS OF ENJOYMENT OR USE, COST OF REMOVAL, INSTALLATION OR OTHER CONSEQUENTIAL DAMAGES. SOME STATES DO NOT ALLOW THE EXCLUSION OR LIMITATION OF INCIDENTAL OR CONSEQUENTIAL DAMAGES. ACCORDINGLY, THE ABOVE LIMITATION MAY NOT APPLY TO YOU.

THE WARRANTY EXTENDED HEREUNDER IS IN LIEU OF ALL OTHER WARRANTIES AND ANY IMPLIED WARRANTY OF MERCHANTABILITY OR FITNESS FOR A PARTICULAR PURPOSE IS LIMITED IN ITS SCOPE AND DURATION TO THE TERMS SET FORTH HEREIN. SOME STATES OR COUNTRIES DO NOT ALLOW LIMITATIONS ON HOW LONG AN IMPLIED WARRANTY LASTS. ACCORDINGLY, THE ABOVE LIMITATION MAY NOT APPLY TO YOU. THIS WARRANTY GIVES YOU SPECIFIC LEGAL RIGHTS. YOU MAY ALSO HAVE OTHER RIGHTS WHICH VARY STATE TO STATE OR COUNTRY TO COUNTRY.

THIS WARRANTY IS VALID ONLY IN THE COUNTRY THE PRODUCT WAS PURCHASED.